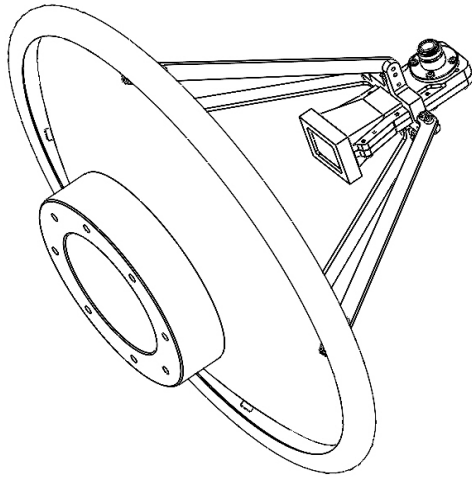


QMS-00807

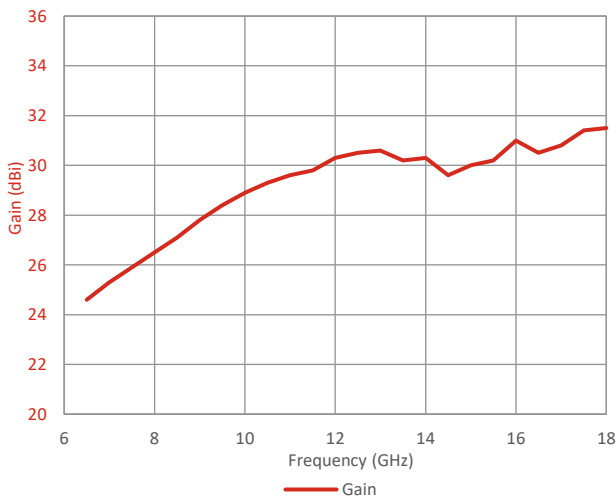


Please contact Steatite Antennas for a full interface control drawing.

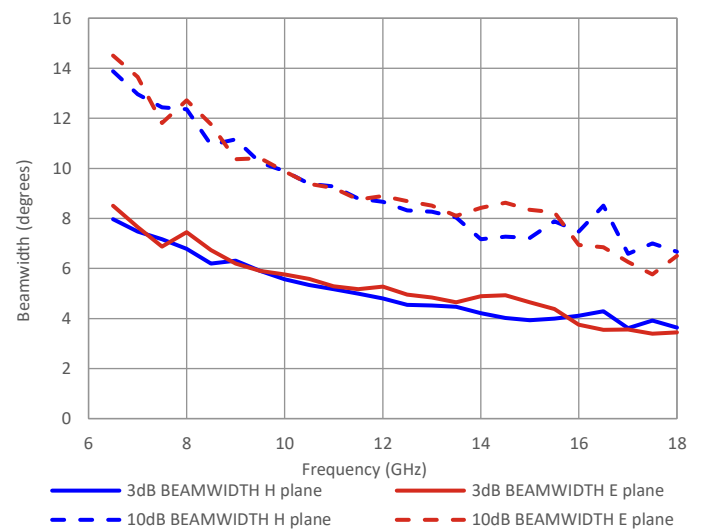
Typical Specification

Frequency	6.5 to 18 GHz
Connector	N-Type Female
VSWR	<2.0:1 Typical
Gain	24.6 to 31.5 dBi
Antenna Factor	21.3 to 24.1 dB/m
3 dB Beamwidth	3.4 to 8.5 degrees
10 dB Beamwidth	6 to 15 degrees
Power	200W CW Typical
Size & Weight	Ø372mm x 287mm max, 2.4 kg nominal.
Mounting	8 holes, tapped M6, 125 mm PCD
Environmental	MIL-STD-810H Storage Temperature -40°C to +70°C

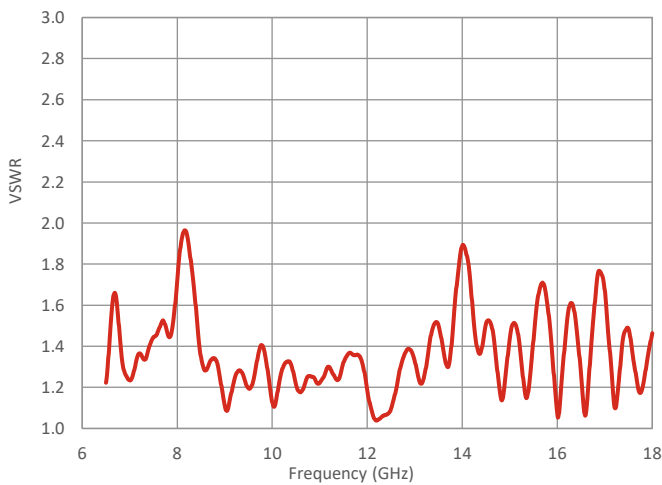
Typical Gain



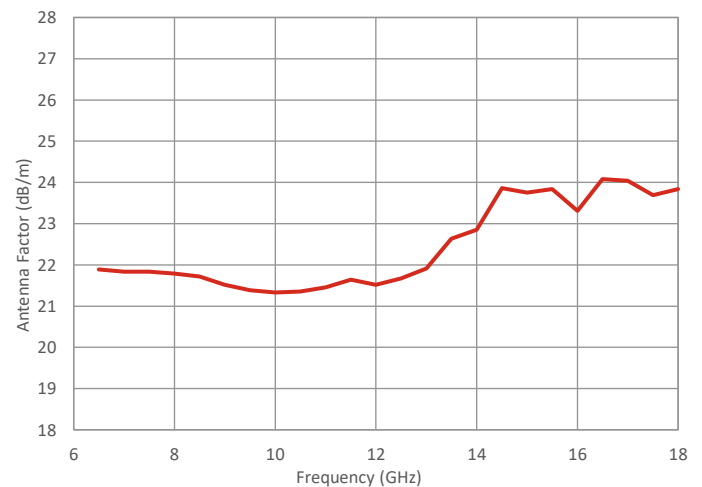
Typical Beamwidth



Typical VSWR



Typical Antenna Factor



Steatite Antennas reserve the right to change and/or update this specification whereby it is deemed that this would improve either the production and/or performance specification of this part. Information herein should not be disclosed to a third party without the prior written consent of Steatite Antennas.

