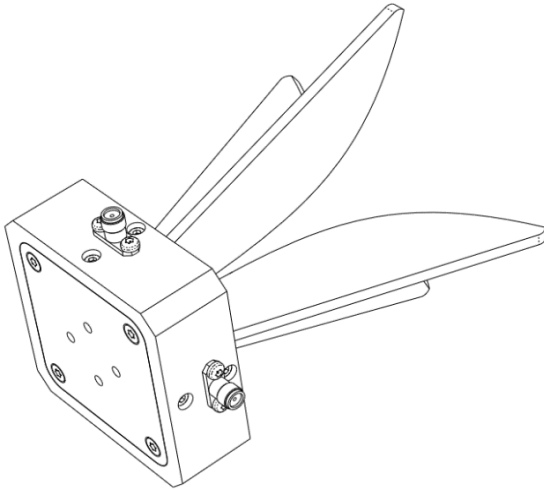


QMS-01046

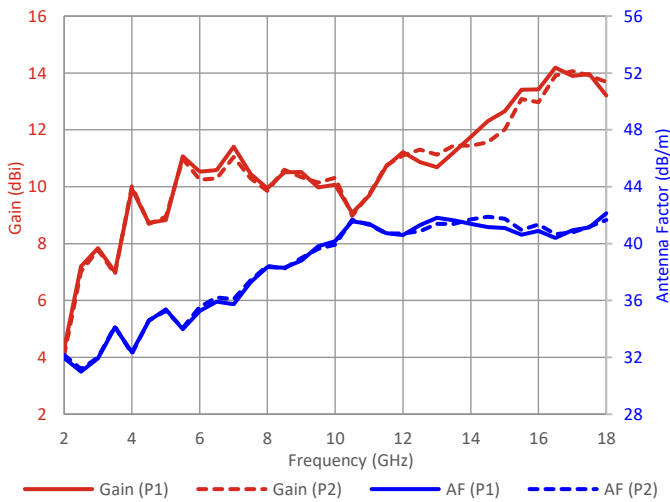


Please contact Steatite Antennas for a full interface control drawing.

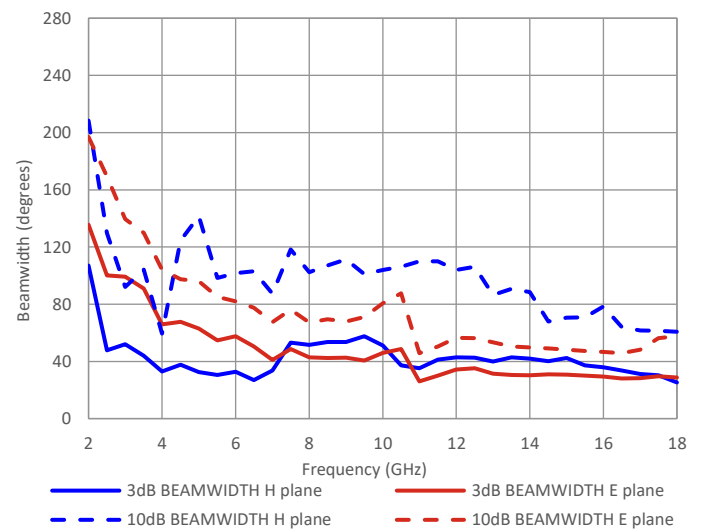
Typical Specification

Frequency	2 to 18 GHz
Connector	2 x SMA Female
VSWR	<2.5:1 Typical
Gain	4.1 to 14.2 dBi
Isolation	-52 to -24.8 dB
3 dB Beamwidth	25.3 to 135.6 degrees
10 dB Beamwidth	46 to 208 degrees
Power	20W CW Typical
Size & Weight	107x107x118mm (exc. Connectors), 325g Nominal
Mounting	4 x M4 Tapped Holes (Refer to ICD)
Environmental	RTCA DO-160G: Temperature: -55°C to +70°C Vibration: Figure 8.1, Curve C Shock: 6g11ms TPS, 20g11ms TPS & 9g constant acceleration

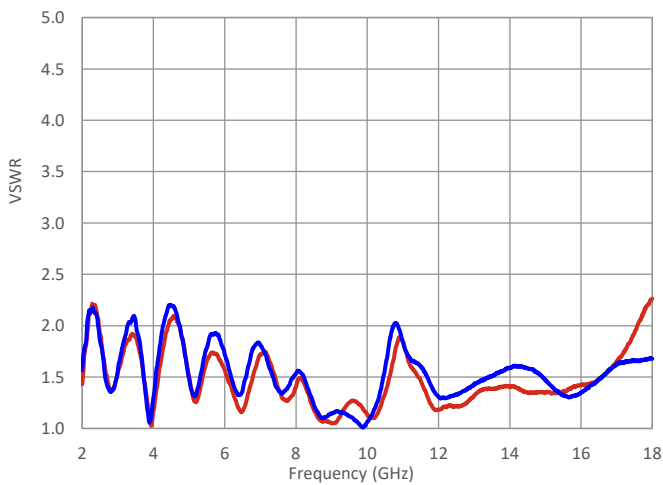
Typical Gain/Antenna Factor



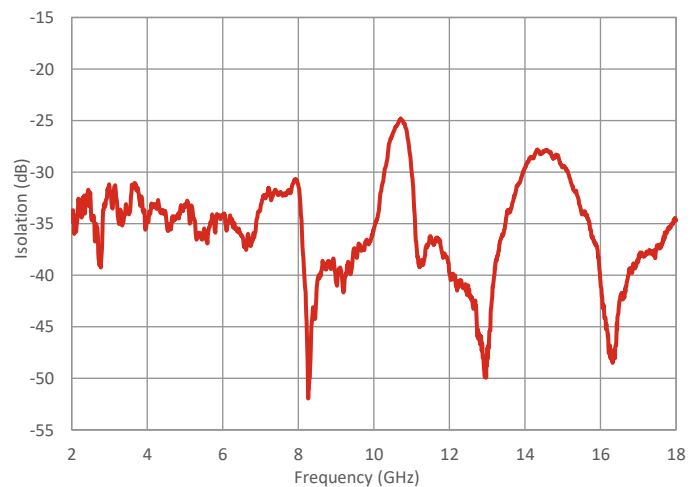
Typical Beamwidth



Typical VSWR



Typical Isolation



Steatite Antennas reserve the right to change and/or update this specification whereby it is deemed that this would improve either the production and/or performance specification of this part. Information herein should not be disclosed to a third party without the prior written consent of Steatite Antennas.

