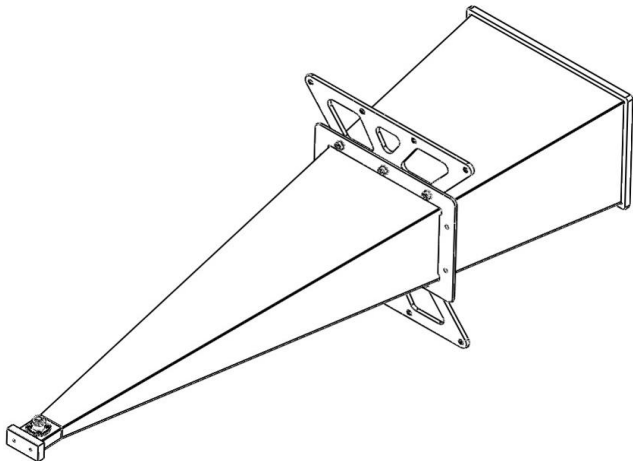


6 - 8 GHz Linearly Polarised 22 dBi Horn Antenna fitted with an N type Connector

QMS-00749

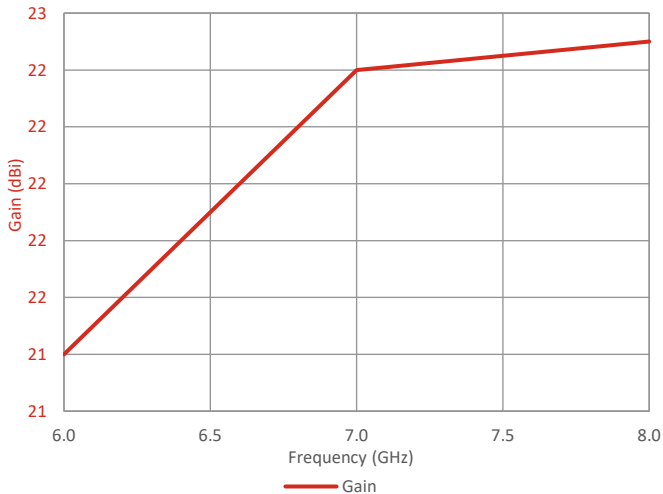


Please contact Steatite Antennas for a full interface control drawing.

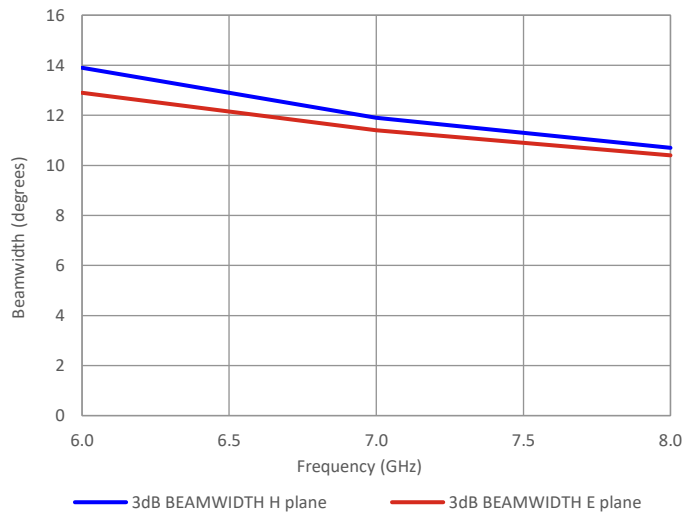
Typical Specification

| | |
|--------------------------|--|
| Frequency | 6 to 8 GHz |
| Connector | N type jack |
| VSWR | Typically < 1.3:1, 1.5:1 Max. |
| Gain | 21.4 to 22.5 dBi |
| Antenna Factor | 24.4 to 25.8 dB/m |
| 3 dB Beamwidth | 10.4 to 13.9 degrees |
| 3dB Spot Size | 185 to 243 mm at 1m |
| Power | 5 kW peak; 150 W mean |
| Size & Weight | 336 x 305 x 1057 mm, 4.5kg nominal |
| Mounting | Mounting flange at CofG. Refer to ICD. |

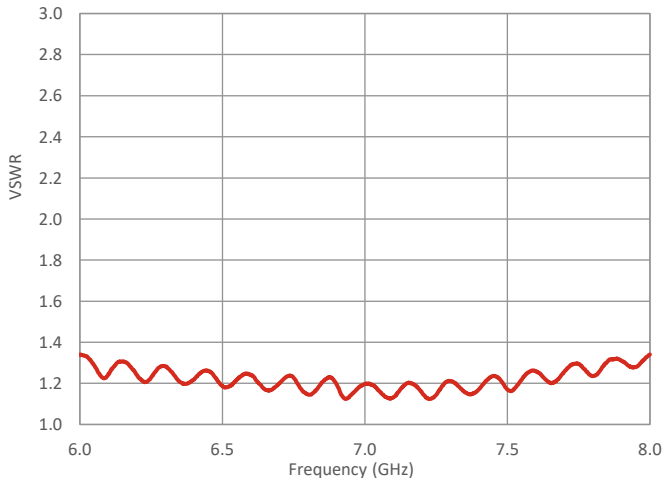
Typical Gain



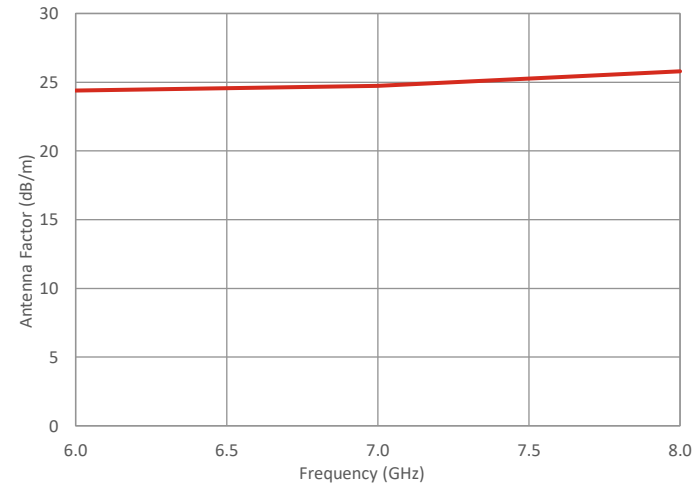
Typical Beamwidth



Typical VSWR



Typical Antenna Factor



Steatite Antennas reserve the right to change and/or update this specification whereby it is deemed that this would improve either the production and/or performance specification of this part. Information herein should not be disclosed to a third party without the prior written consent of Steatite Antennas.

