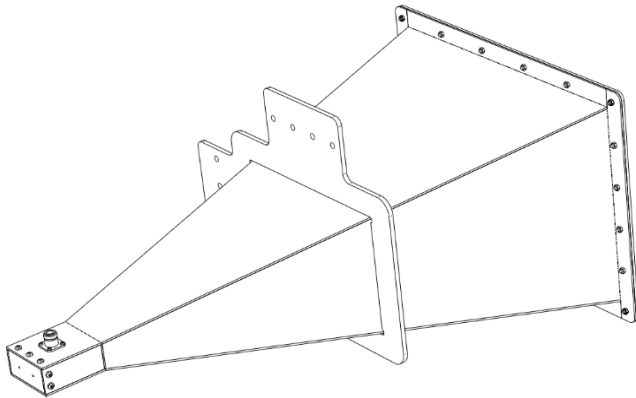


QMS-00114

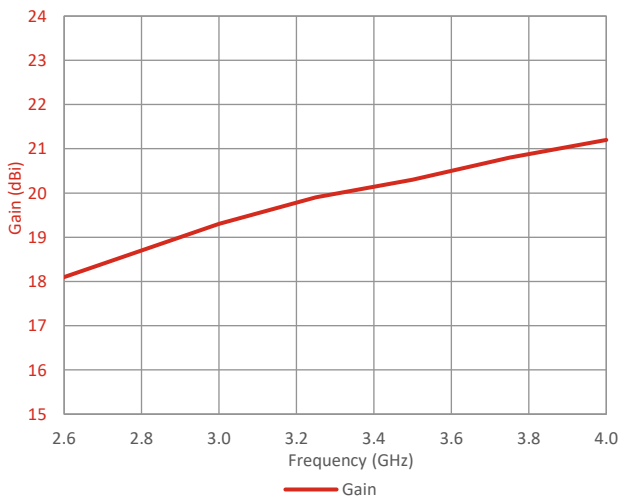


Please contact Steatite Antennas for a full interface control drawing.

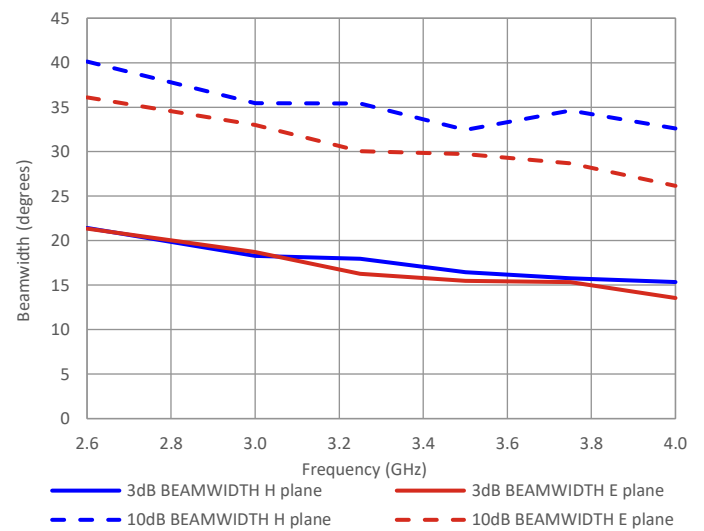
Typical Specification

Frequency	2.6 to 4 GHz
Connector	N-Type Female
VSWR	Typically <1.5:1
Gain	18.1 to 21.2 dBi
Antenna Factor	20.4 to 21.1 dB/m
3 dB Beamwidth	13.6 to 21.4 degrees
10 dB Beamwidth	26 to 40 degrees
Power	400W CW (Derated for VSWR, 20°C & Sea Level)
Size & Weight	440 mm x 330 mm x 761mm long, 5.7kg Nominal
Mounting	Refer to ICD
Environmental	Please contact Steatite for further advice.

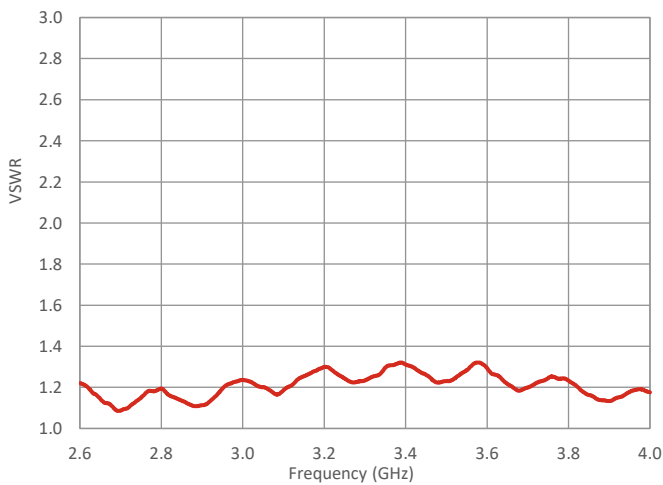
Typical Gain



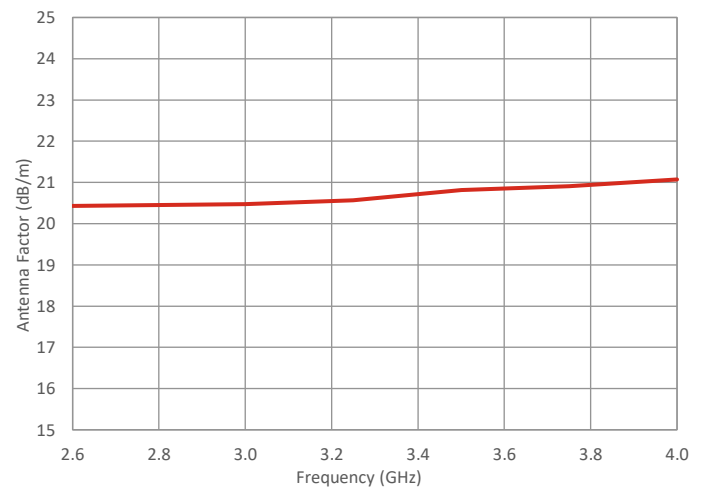
Typical Beamwidth



Typical VSWR



Typical Antenna Factor



Steatite Antennas reserve the right to change and/or update this specification whereby it is deemed that this would improve either the production and/or performance specification of this part. Information herein should not be disclosed to a third party without the prior written consent of Steatite Antennas.

